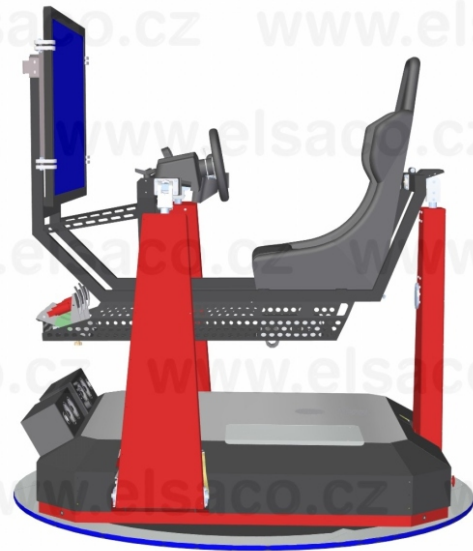


4DOF Extreme / 3D TV

racing simulator



Features:

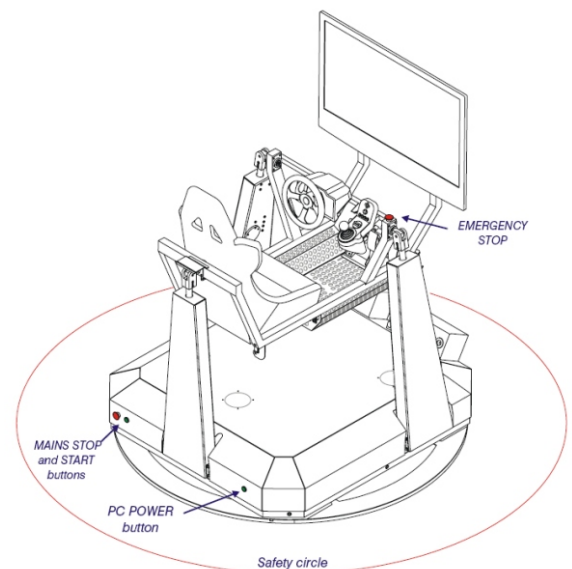
- 3 moving legs
- rotation base
- 47" 3D LED display (TV)
- profi race seat
- race driving wheel - Elsaco based sport wheel
- Elsaco based sport pedals
- static overload (G-force) = up to 0.5G
- dynamic overload = up to 2G

Description:

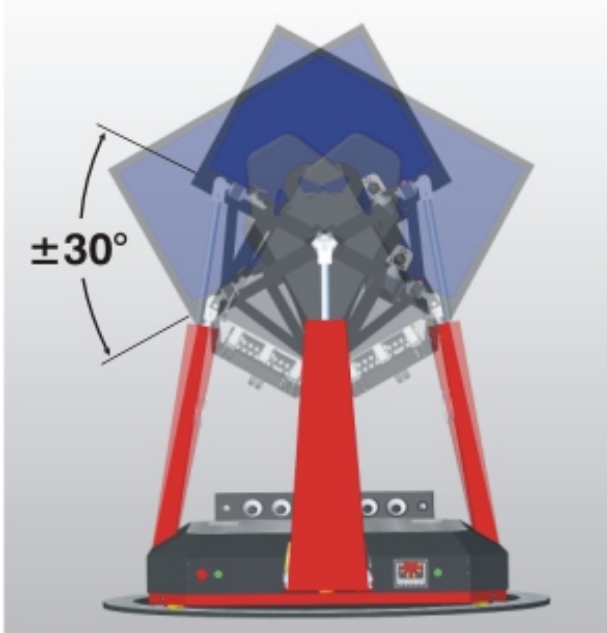
Extended car model with 3 moving legs, rotation base, 47" 3D LED display (TV), profi race seat, race driving wheel, 3 pedals (accelerate, brake, clutch). Recommended for real car simulation.

Simulator get a data about position of car, speed, G-force, etc. from a game and moves a cockpit using these data. You feel a characteristics like a real car - inclination in curves, trembling via terrain or asphalt, G-force overload in acceleration, brake or curves up to 2G. You feel like a real car driving.

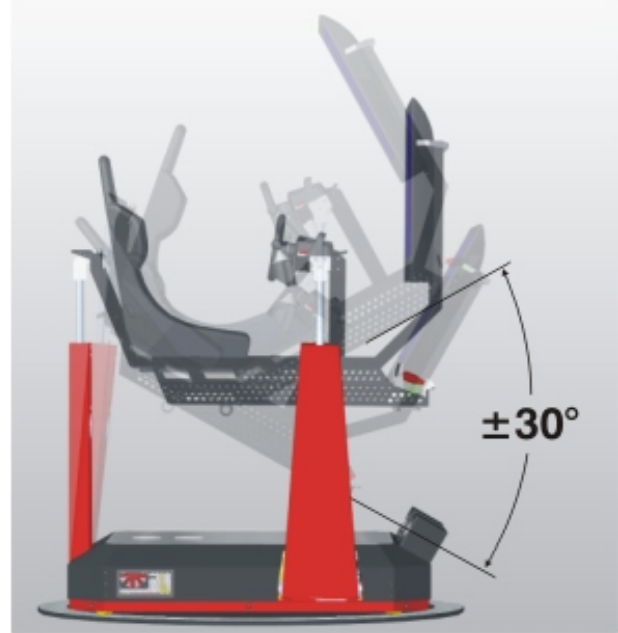
Simulator can simulate a lot of races - f.e: rally, circuit races with a sport cars or special monoposts, formula, carts, etc. at a lot of real and virtual tracks.



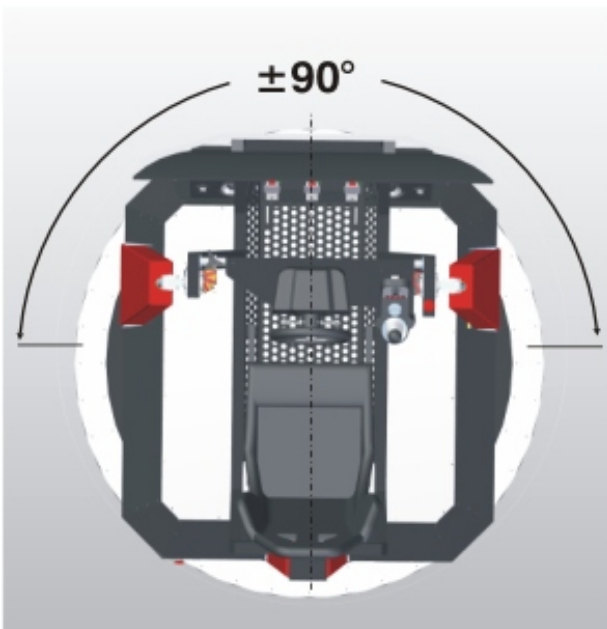
Roll $\pm 30^\circ$, velocity 52°/s, acceleration 430°/s²



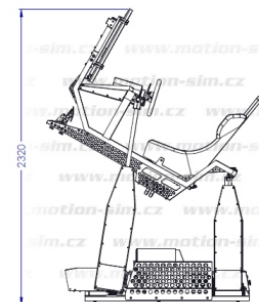
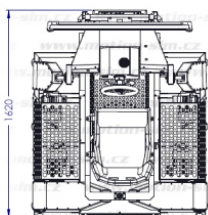
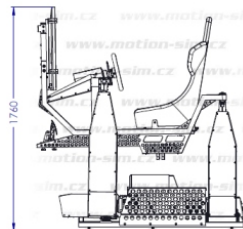
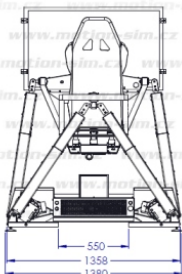
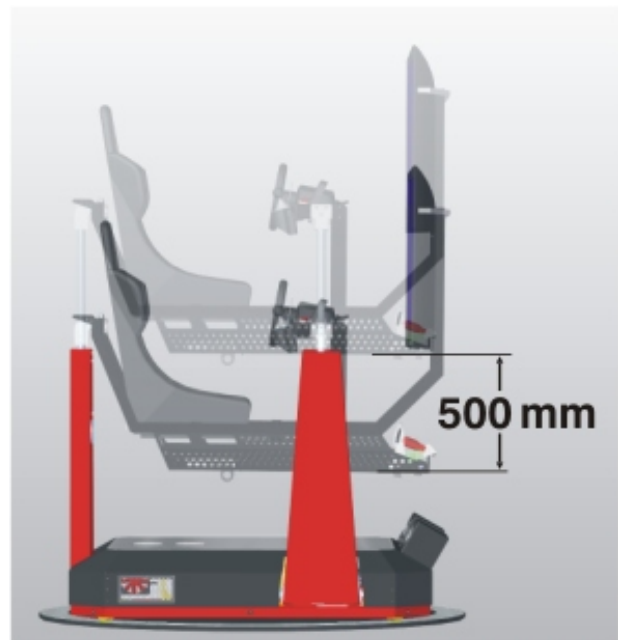
Pitch $\pm 30^\circ$, velocity 52°/s, acceleration 430°/s²



Yaw $\pm 90^\circ$, velocity 80°/s, acceleration 300°/s²



Heave 500mm, velocity 0.430m/s, acceleration 3.6m/s²



Specification

- Power Voltage 230 V \pm 10% / 50 Hz
- Maximum current 16 A
- Maximum (peak) consumption 3,35 kW
- Mean consumption (motion on) 800 ÷ 1400 W
- Mean consumption (motion off) 400 W
- Leakage current (to ground) 35 mA max
- Ambient temperature +10 ÷ +30°C
- Maximum load (cockpit total): 300 kg
- Maximum load (person only): 120 kg
- Weight 320 kg
- Base plate diameter 1730 mm
- Width without base plate side segments 1450 mm
- Height (cockpit in base position) 1800 mm
- Maximum height (in motion) 2650 mm
- Minimum safety circle diameter 2500 mm